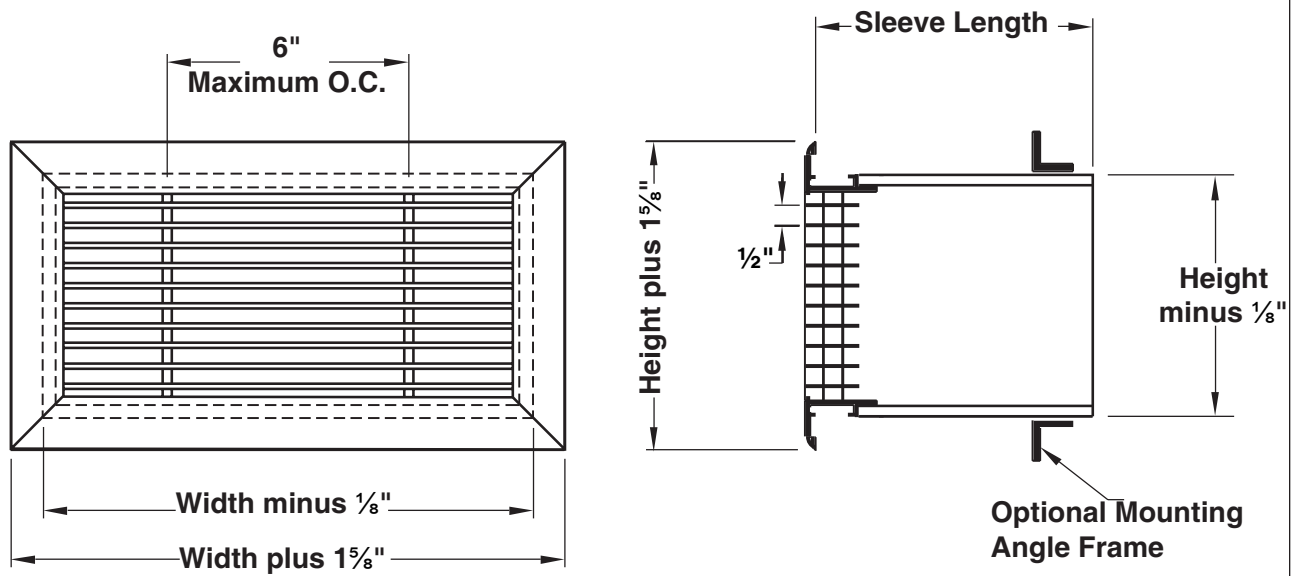


SG-1500FL UNIT DIMENSIONS

SG-1500FL



Notes:

For standard product, width and height should be specified in even 1" increments.

Typical mounting is accomplished by using an angle frame (1 1/2" x 1 1/2" x 3/16") shipped loose for field welding.

Dimensions Available	
Width:	6 to 30"
Height:	4 to 30"
Sleeve Length:	4 to 18" in 1" increments